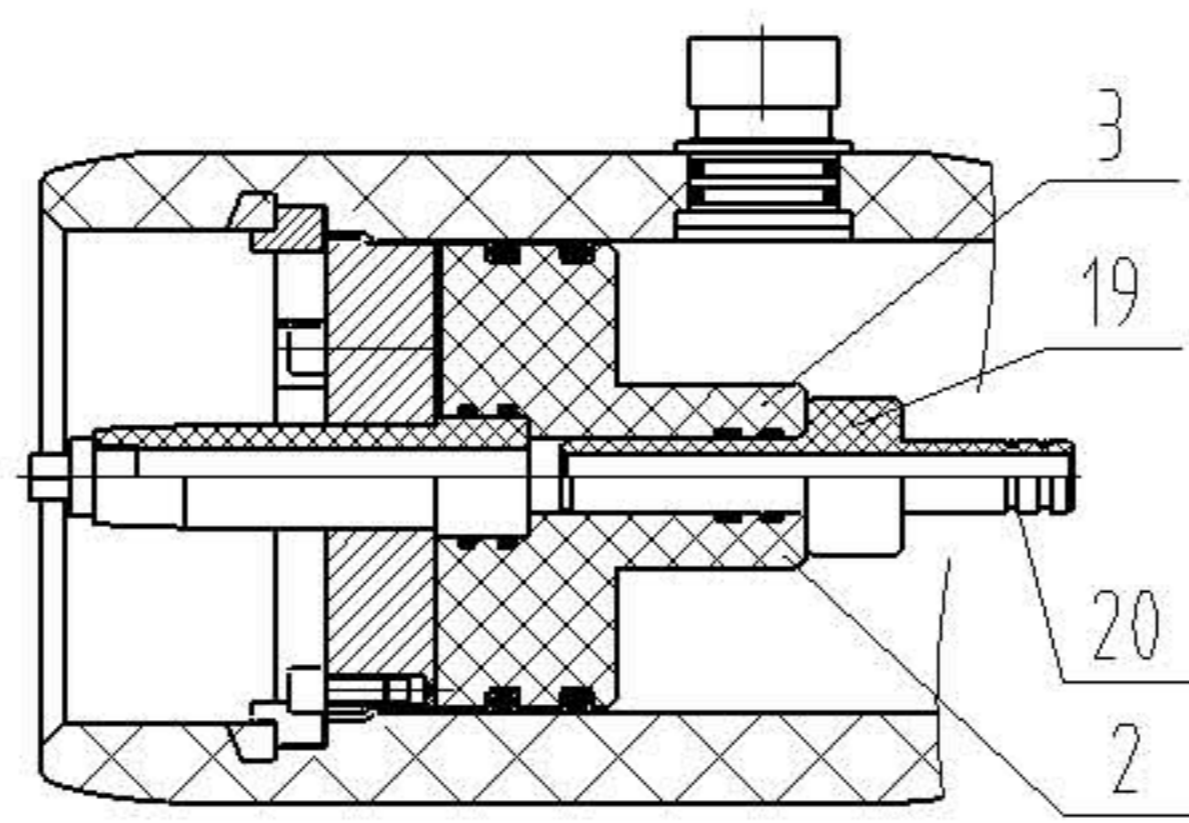
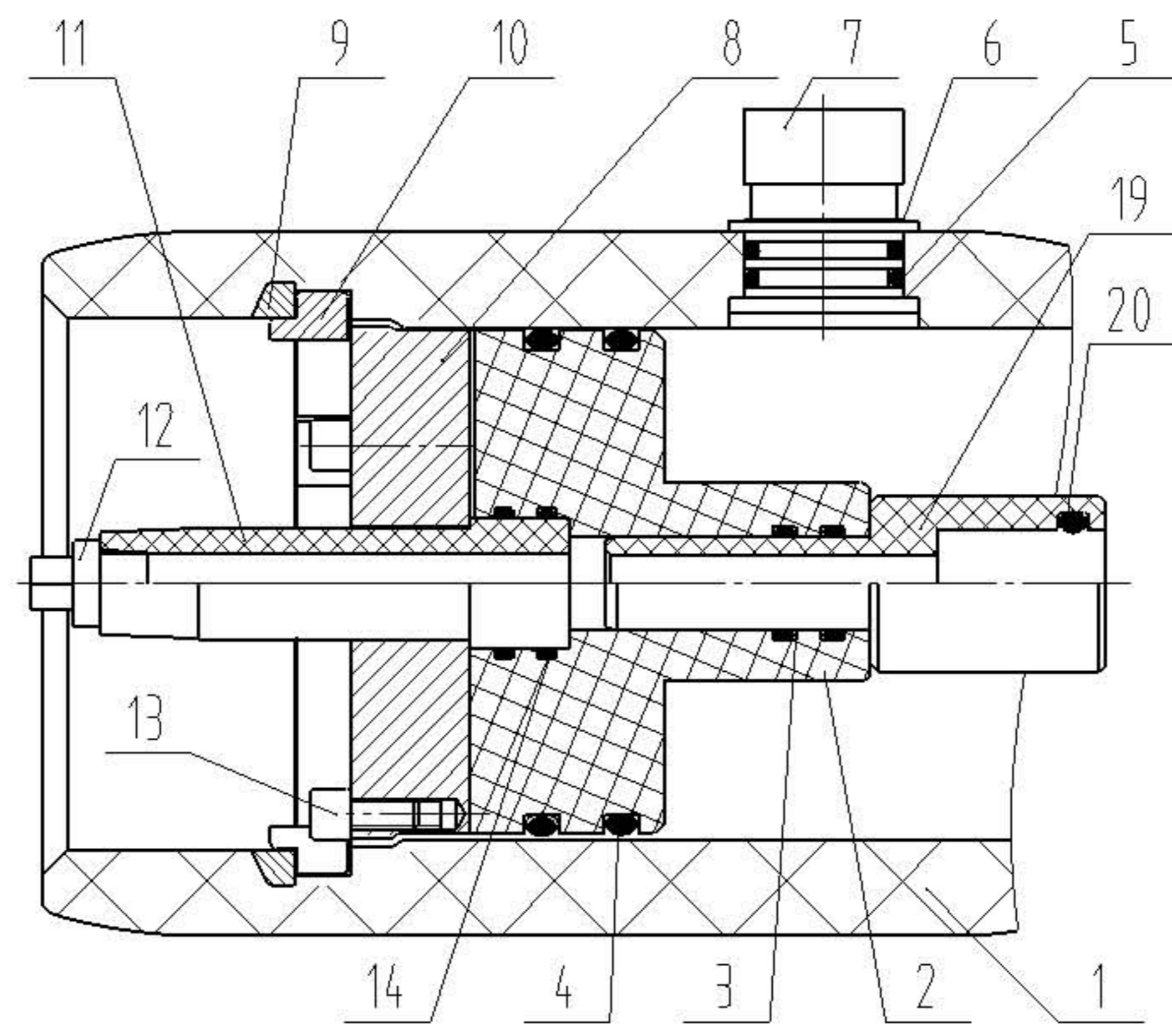


*Standard Mode

20	12.5x1.86GB/T3452.1-2005 19x2.65G GB/T3452.1-2005	O-Ring	4	EPDM	
19	4021.1 4021	Adapter	2	ABS	
18	GB/T170.1-2000 M6x25	Interlock Screw	4	316SS	
17	4010	Saddle	2~3	NR	
16	GB/T5782-2000 M8x60	Strap Screw	4~6	316SS	
15	4008.2	Strap	2~3	316SS	
14	25x2.65G GB/T3452.1-2005	O-Ring	4	EPDM	
13	GB/T170.1-2000 M6x10	Locking Segment Screw	6	316SS	
12	4013	Plug	1	ABS	M12
11	4022	Permeate Port	2	ABS	
10	4024	Locking Kit Segment	6	2024	
9	4058	Embedded Ring	2	316SS	
8	4019	Bearing Plate	2	6061 T6	
7	4042	Feed/Conc. Port	2~4	316SS* 2205SS	DPT
6	4005	Retaining Ring	2~4	316SS	
5	28x2.65G GB/T3452.1-2005	O-Ring	4~8	EPDM	
4	90x5.3G GB/T3452.1-2005	O-Ring	4	EPDM	
3	4020.1 4020	Sealing Plate	2	ABS	For Internal Flat Membrane
2	14x2.65G GB/T3452.1-2005 17x2.65G GB/T3452.1-2005	O-Ring	4	EPDM	
1	4016.13-18	Pressure Shell	1	FRP	OPT for Blue or White
Ref.	Part Number	Description	Qty.	Material	Note



For Internal Flat Membrane

NOTE:

- 1 Design pressure 1000PSI(6.9MPa)
- 2 Design temperature 150°F(66°C)
- 3 Min. allowable temperature 14°F(-10°C)
- 4 Working medium, sea water or brackishwater
- 5 Internal permeate pressure not to exceed 125psi
- 6 Please operate in accordance with User Manual
- 7 Subject to change without notice. Check with ROPV to confirm current drawing.

Shell length code	Shell number	L L.O.A MM/IN	P Part to part MM/IN	S Span MM/IN	Approx assembly weight KG/LB
1	4016.13	1374/54.1	1036/40.8	600/23.6	14/31.5
2	4016.14	2390/94.1	2052/80.8	1200/47.2	22/49.5
3	4016.15	3406/134.1	3068/120.8	2200/86.6	31/69.8
4	4016.16	4422/174.1	4084/160.8	1600/63x2	39/87.8
5	4016.17	5438/214.1	5100/200.8	2300/90.6x2	47/105.9
6	4016.18	6454/254.1	6116/240.8	2700/106.3x2	56/126.1

ROPV	DESIGN	X W Liu 2008.04.08	Harbin ROPV Industry Development Center	
	REVIEW	J B An 2008.04.08	MODEL	R40B1000S PRESSURE VESSEL
	APPROVAL	Y C Li 2008.04.08	DWG	R40B1000S-00
			REV	08