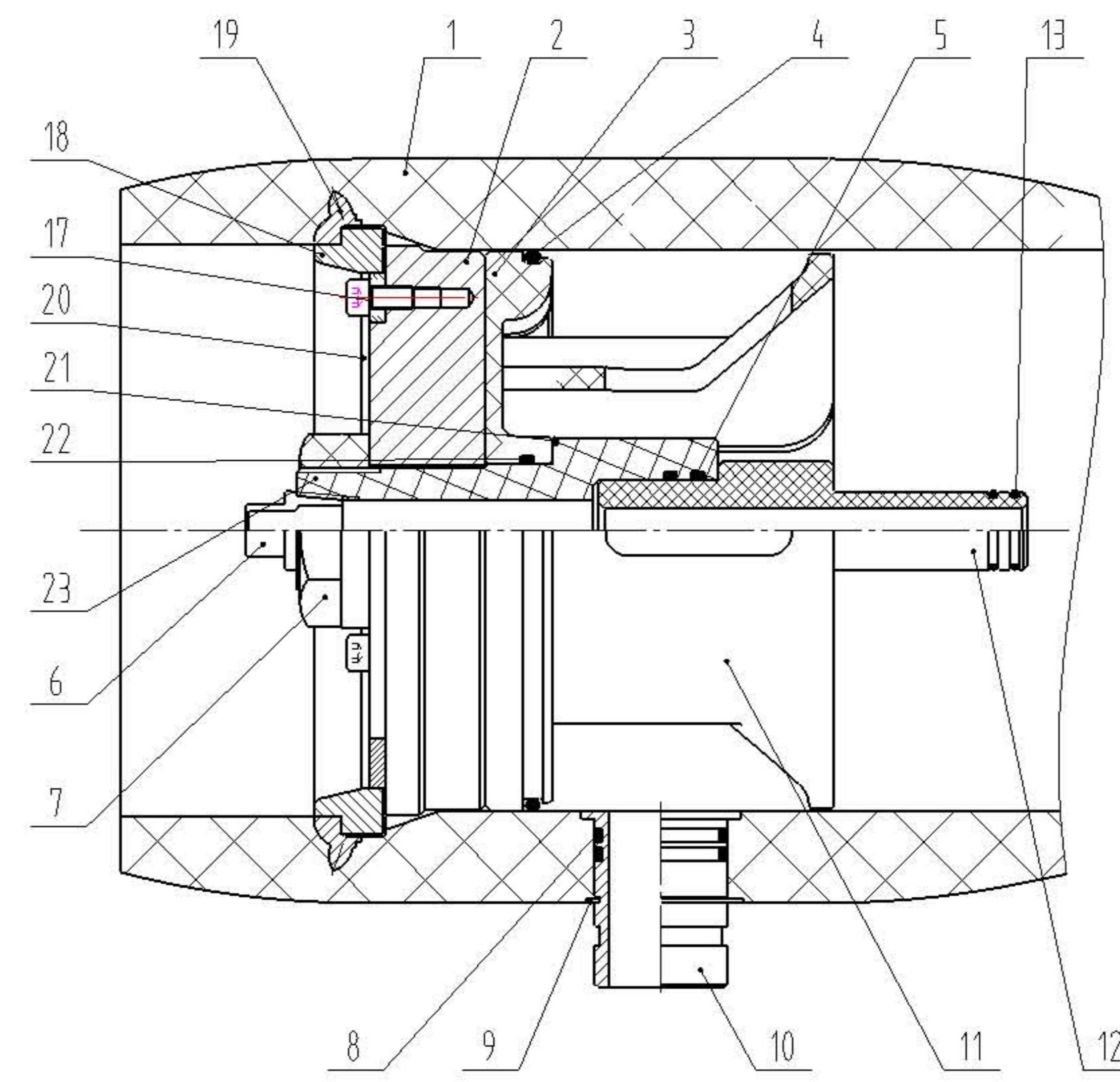


1200
PSI

*Standard Mode

| | | | | | |
|------|------------------------------------------------------------------------------------|------------------------------------------------------------------|------|-----------|-----------------------|
| 23 | 8064.3 | Permeate Port | 2 | ABS | |
| 22 | 47.5x3.55G GB/T3452.1-2005 | O-ring | 2 | EPDM | |
| 21 | 58x2.65G GB/T3452.1-2005 | O-ring | 2 | EPDM | |
| 20 | 8035 | Securing Ring | 2 | Plastic | |
| 19 | 8097 | Embed Ring | 2 | 316SS | |
| 18 | 8034 | Locking Kit Segment | 6 | 2024 | |
| 17 | GB/T170.1-2000 M8x16 | Locking Segment Screw | 6 | 316SS | |
| 16 | 8032 | Saddle | 2~3 | NR | |
| 15 | GB/T5782-2000 M8x70 | Strap Screw | 4~6 | 316SS | |
| 14 | 8027.4 | Strap | 2~3 | 316SS | |
| 13 | 23.6x2.65G GB/T3452.1-2005 | O-ring | 4 | EPDM | |
| 12 | 8026 | Adapter | 2 | ABS | |
| 11 | 8022.3 | Thrust Ring | 1 | ABS | |
| 10 | 8020.4 8019.4 8018.4 | 2.5"Feed/Conc. Port 2"Feed/Conc. Port 1.5"Feed/Conc. Port* | 2~4 | 2205 | OPT |
| 09 | 800511-3 | Retaining Ring | 2~4 | 316SS | |
| 08 | 69x3.55G GB/T3452.1-2005 53x3.55G GB/T3452.1-2005 41.2x3.55G GB/T3452.1-2005 | O-ring | 4~8 | EPDM | |
| 07 | 8014.1 | Permeate Port Locknut | 2 | ABS | |
| 06 | 8013 | Plug | 1 | ABS | |
| 05 | 36.5x3.55G GB/T3452.1-2005 | O-ring | 4 | EPDM | |
| 04 | 190x5.3G GB/T3452.1-2005 | O-ring | 2 | EPDM | |
| 03 | 8010.4 | Parted Sealing Plate | 2 | ABS | |
| 02 | 8009 | Bearing Plate | 2 | 6061 T651 | |
| 01 | 8006.1-8 | Pressure Shell | 1 | FRP | OPT for Blue or White |
| Ref. | Part Number | Description | Qty. | Material | Note |



NOTE:

- 1 Design pressure 1200PSI(8.3MPa).
- 2 Design temperature 150°F(66°C)
- 3 Min. allowable temperature 14°F(-10°C)
- 4 Working medium, sea water or brackishwater
- 5 Internal permeate pressure not to exceed 125PSI(0.88Mpa)
- 6 Please operate in accordance with User Manual
- 7 Subject to change without notice. Check with ROPV to confirm current drawing.

| Size of Feed/Conc. Port | D(MM/IN) | H(MM/IN) |
|-------------------------|----------|----------|
| 1.5"(DN40) | 272/10.7 | 161/6.3 |
| 2"(DN50) | 280/11.0 | 175/6.9 |
| 2.5"(DN65) | 302/11.9 | 175/6.9 |

| Shell length code | Shell number | L L.O.A MM/IN | P Port to port MM/IN | S Span MM/IN | Approx assembly weight (1.5"Feed/Conc. Port) KG/LB |
|-------------------|--------------|---------------|----------------------|--------------|----------------------------------------------------|
| 1 | 8006.1 | 1534/60.4 | 1143/45 | 700/27.6 | 67/150.9 |
| 2 | 8006.2 | 2550/100.4 | 2159/85 | 1455/57.3 | 94/211.7 |
| 3 | 8006.3 | 3566/140.4 | 3175/125 | 2064/81.3 | 121/272.5 |
| 4 | 8006.4 | 4582/180.4 | 4191/165 | 1600/63x2 | 147/331.1 |
| 5 | 8006.5 | 5598/220.4 | 5207/205 | 2000/78.7x2 | 174/391.9 |
| 6 | 8006.6 | 6614/260.4 | 6223/245 | 2358/92.8x2 | 201/452.7 |
| 7 | 8006.7 | 7630/300.4 | 7239/285 | 2865/112.8x2 | 227/511.3 |
| 8 | 8006.8 | 8646/340.4 | 8255/325 | 3373/132.8x2 | 253/569.8 |

ROPV

| | | |
|----------|-----------------------|-----------------------------------------|
| DESIGN | X W Liu 2008.04.08 | Harbin ROPV Industry Development Center |
| REVIEW | J B An 2008.04.08 | MODEL R80B1200S PRESSURE VESSEL |
| APPROVAL | Y C Li 2008.04.08 | DRG R80B1200S-00 |
| | | REV 08 |